

Technical data sheet

Product features



Electric range with cabinet

Model	SAP Code	00008531
--------------	-----------------	----------



- Device type: Electric unit
- Power consumption of the zone 1 [kW]: 2,5
- Power consumption of the zone 2 [kW]: 2,5
- Power consumption of the zone 3 [kW]: 2,5
- Power consumption of the zone 4 [kW]: 2,5
- Protection of controls: IP24
- Material: AISI 304 top plate and cladding

SAP Code	00008531	Number of zones	4
Net Width [mm]	800	Power consumption of the zone 1 [kW]	2,5
Net Depth [mm]	730	Power consumption of the zone 2 [kW]	2,5
Net Height [mm]	900	Power consumption of the zone 3 [kW]	2,5
Net Weight [kg]	100.00	Power consumption of the zone 4 [kW]	2,5
Power electric [kW]	10.000	Solid top dimensions [mm x mm]	300 x 300
Loading	400 V / 3N - 50 Hz		

Technical data sheet

Technical drawing

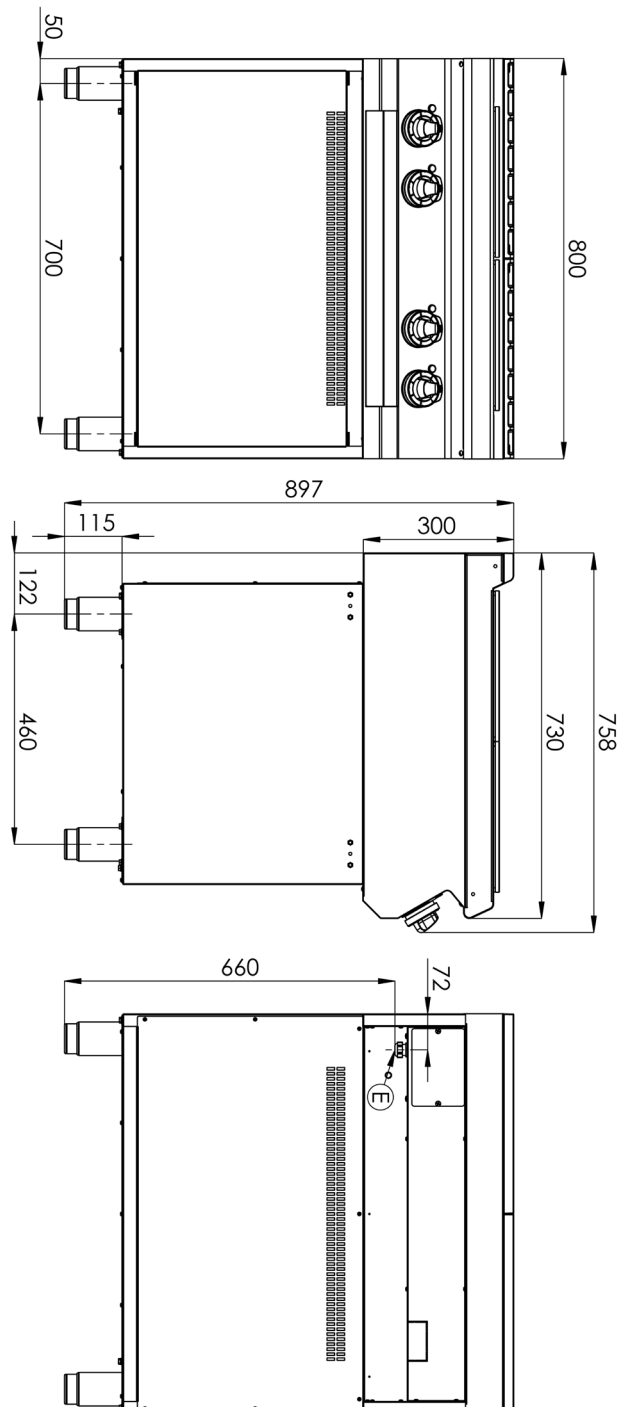


Electric range with cabinet

Model

SAP Code

00008531



Technical data sheet

Technical parameters



Electric range with cabinet

Model

SAP Code

00008531

1. SAP Code:

00008531

2. Net Width [mm]:

800

3. Net Depth [mm]:

730

4. Net Height [mm]:

900

5. Net Weight [kg]:

100.00

6. Gross Width [mm]:

840

7. Gross depth [mm]:

800

8. Gross Height [mm]:

1080

9. Gross Weight [kg]:

110.00

10. Device type:

Electric unit

11. Construction type of device:

With substructure

12. Power electric [kW]:

10.000

13. Loading:

400 V / 3N - 50 Hz

14. Protection of controls:

IP24

15. Exterior color of the device:

Stainless steel

16. Material:

AISI 304 top plate and cladding

17. Indicators:

operation

18. Worktop type:

Molded - comfortable cleaning maintenance

19. Worktop material:

AISI 304

20. Worktop Thickness [mm]:

1.50

21. Number of zones:

4

22. Power consumption of the zone 1 [kW]:

2,5

23. Power consumption of the zone 2 [kW]:

2,5

24. Power consumption of the zone 3 [kW]:

2,5

25. Power consumption of the zone 4 [kW]:

2,5

26. Maximum device temperature [°C]:

400

27. Minimum device temperature [°C]:

50

28. Service accessibility:

Trough the frontal panel

Technical data sheet

Technical parameters



Electric range with cabinet

Model	SAP Code	
		00008531

29. Adjustable feet:

Yes

31. Type of electric cooking zones:

Squared

30. Number of burners/hot plates:

4

32. Solid top dimensions [mm x mm]:

300 x 300